
T E C H N I C A L S H E E T

revised edition

1. Material to be supplied by the theatre

STAGE : 12m wide, 14m deep (minimum)

DECOR

- black dancefloor, 12m wide x 11m deep
- black curtains to build 2 sidewalls + a partial backwall
- 200m black tape
- carpets to muffle the noise of footsteps in the backstage

PROPS

- 15 (fifteen) jumping frogs (Rana Grylio, Rana Catesbeiana, Rana Erytraea)
- 2 (two) tame ara's (colourfull kingsize parrots)
- for each performance: 62 flat white kitchen porcelain plates
with a diameter of minimum 24,5 cm



LIGHT

- a portable lightdimmerboard, 12 channels, manual handling
- a long steering-cable from dimmerblocks (near stage) to controlboard (in auditorium)
- extension cables (electricity)
- 4 spotlights, 2000 watt each, very concentrated

SOUND SYSTEM

- 1 mixing table: 8 input faders, 2 program output faders, 2 monitor output faders
- 2 Revox 2track tape decks B77 19 cm/sec
- 1 equalizer (graphic or computerized)
- 4 monitor speakers

The sound system itself should be at least **3-way** and **active crossed**.

The system should produce a clear and pronounced signal in eighter low, middle and high frequency range. This requires seperate speakers and amplifiers for each range. At working level the sound system should have enough power to allow the bass frequencies to become tangible by the audience.

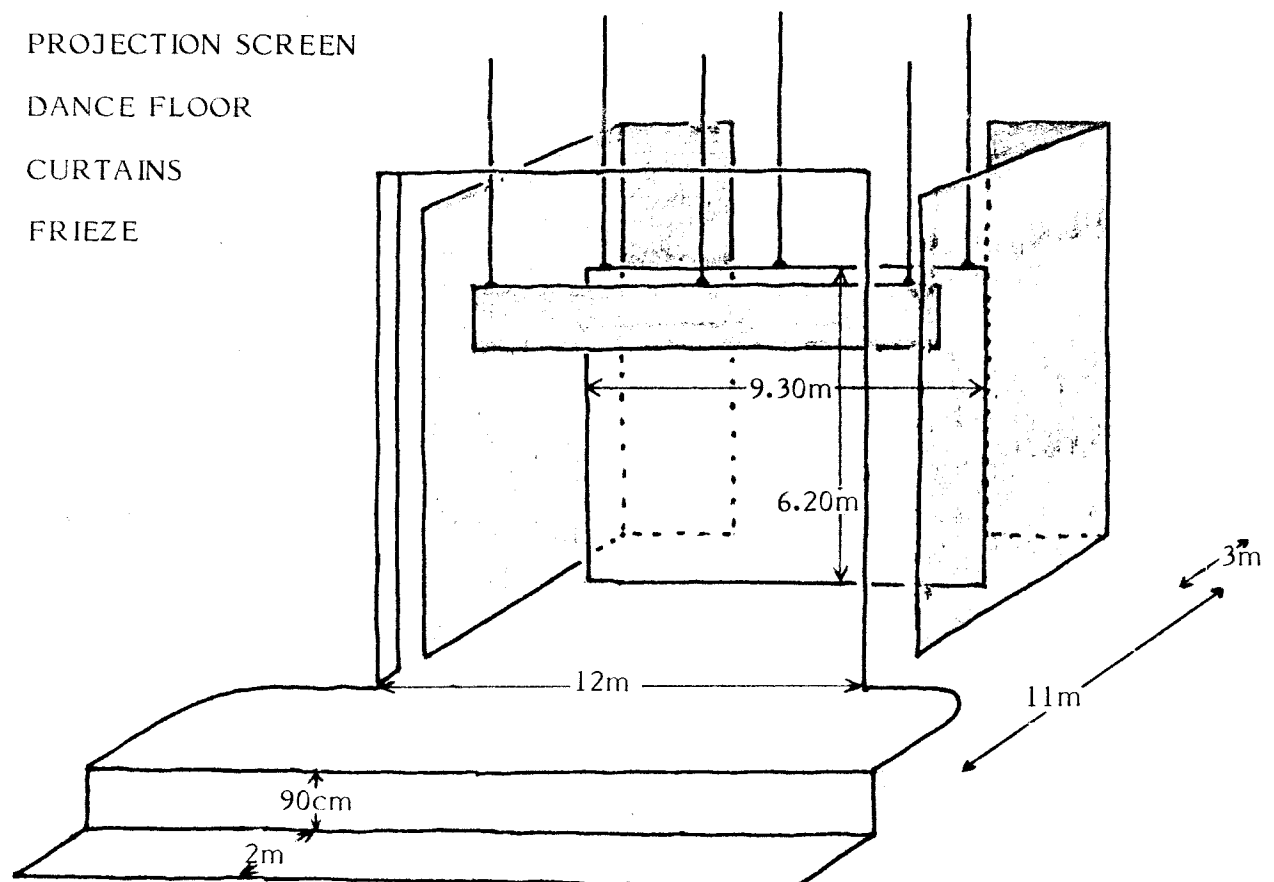
TECHNICAL HELP : 3 machinists **during the installation**
1 man for the sound
3 men for the light
1 chief who speaks **english or french**

FOOD FOR EACH PERFORMANCE **(backstage)**

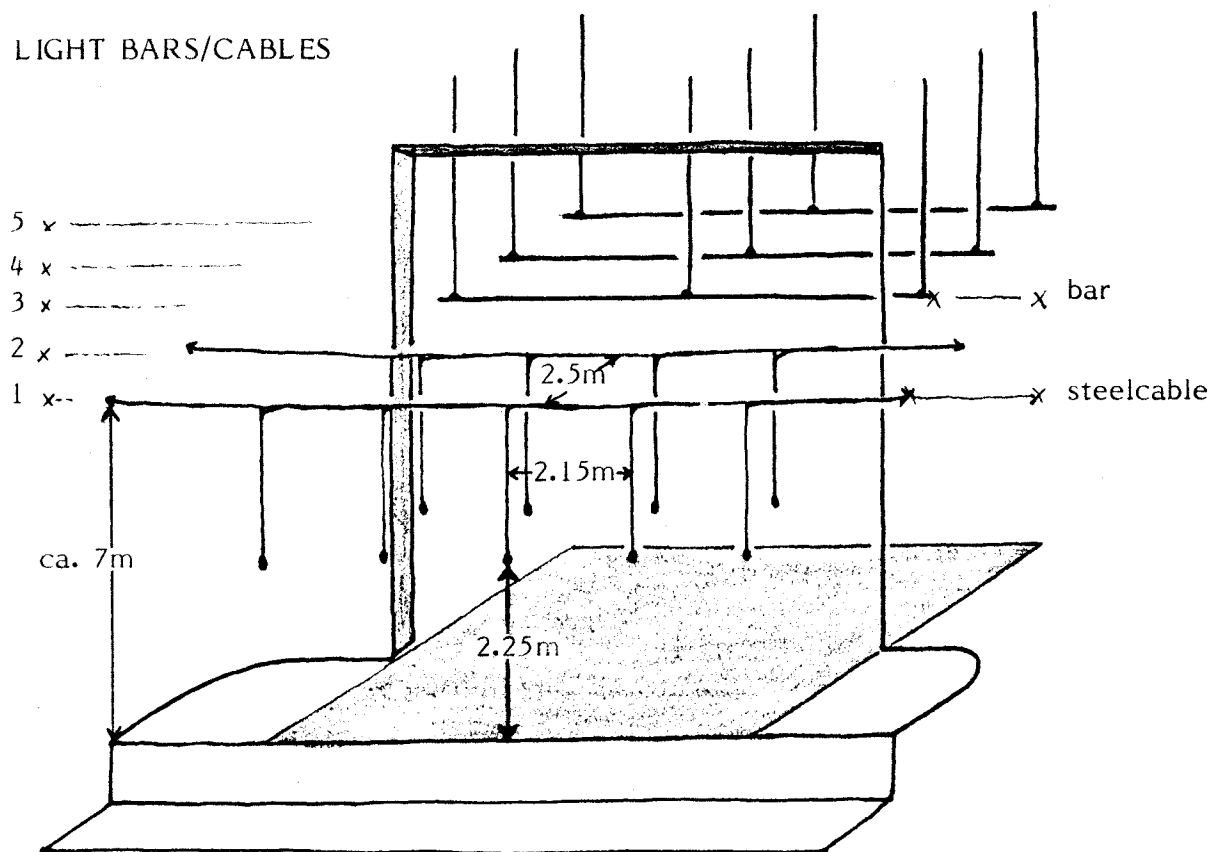
- 80 sandwiches (bacon, salami, cheese)
- 8 liters of water
- 12 liters of coca-cola
- 3 liters of milk
- coffee (milk, sugar)
- fruit: 20 bananas, 20 apples, 20 oranges

2. Explanation of the sketches

- The projection screen hangs 11m away from the front (beginning) of the stage. The midpoint of the screen = the midpoint of the stage. The screen is stretched wrinkleless until the ground by means of a wooden plank of 9.30m and some theater-weights. At a height of approximately 6.20m the screen is blacked off with a frieze.
- The black dancefloor covers at least the visible part of the stage.
- The black side-walls and backwall should leave an entrance of 1 meter left and right beside the projection-screen.
- Behind the projection-screen there are about 3 meters that'll serve as backstage.
- The front of the stage is approximately 90 cm high and in one straight line. (No prompter's box!) The distance inbetween the front of the stage and the first row of theatre-seats has to be 2 meters.



LIGHT BARS/CABLES



The lighting of the stage is done by 23 candlelamps of 60W (we bring them ourselves). The lamps hang down from 5 bars or steelcables above the stage.

1st bar hangs 25 cm before the sceneborder

2nd bar hangs ca. 2.50m behind 1st bar

3rd bar hangs ca. 5.00m behind 1st bar

4th bar hangs ca. 7.50m behind 1st bar

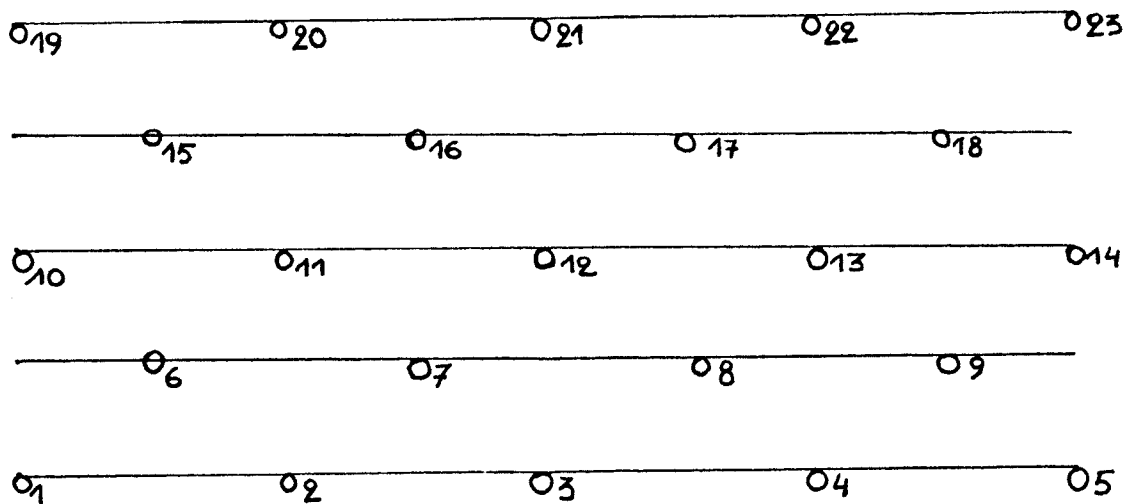
5th bar hangs 75cm before the projectionscreen

The bars hang at such a height that the slide-projector doesn't throw their shadow onto the projection screen.

Every bar has 4 of 5 lamps, attached with an inbetween space of 2.15m.

All the lamps hang at 2.25m above the stage.

The central lamp of a bar with 5 lightpoints should be exactly in the middle of the stage.



The 23 candlelamps are all controlled by the 12 channel lightdimmer. They are connected as follows:

Connected Lights	1 5	2	3	4	6,7 8,9	10 14	11 13	12	15,16 17,18	19 23	20 22	21
Channel	1	2	3	4	5	6	7	8	9	10	11	12

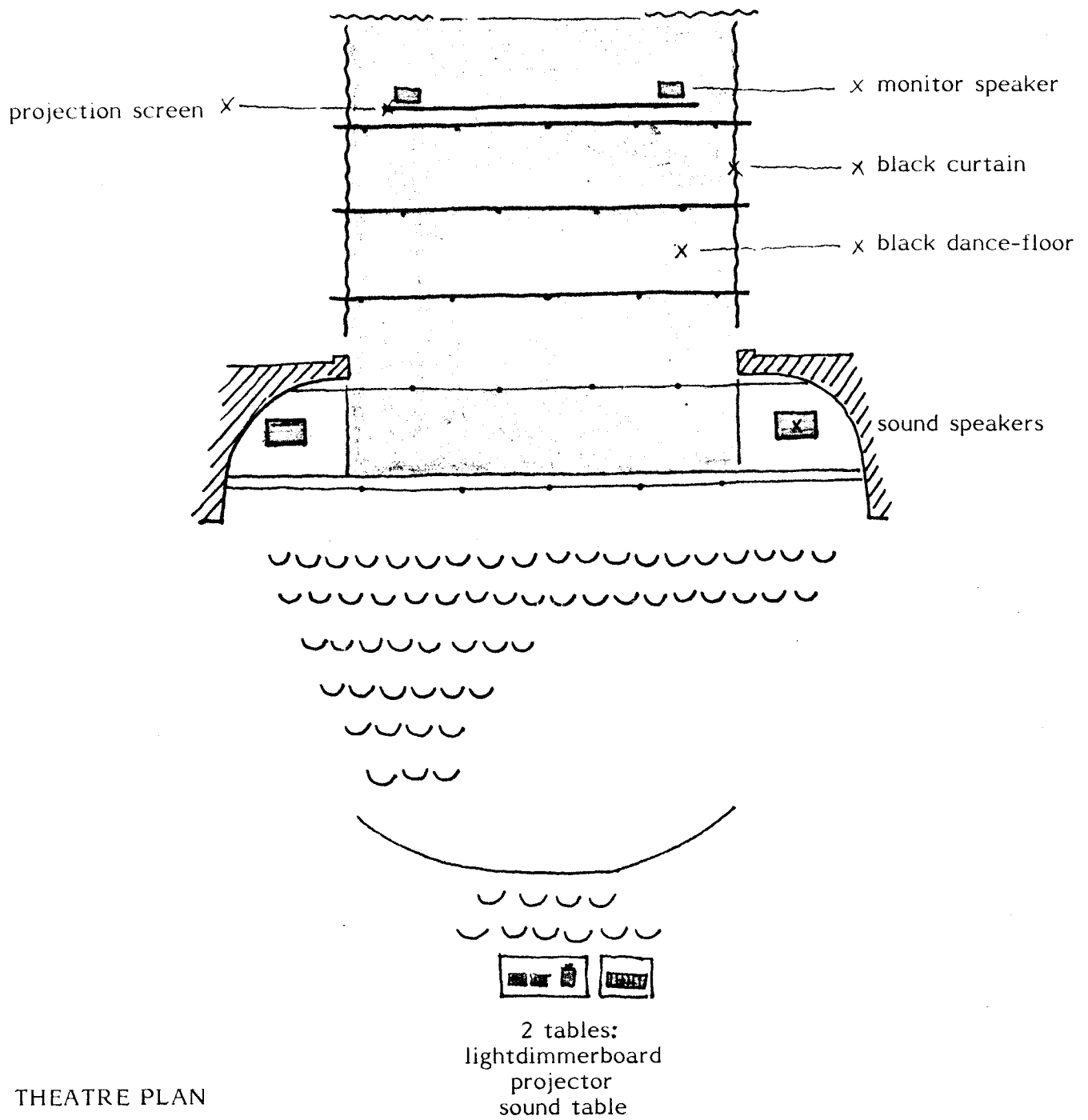
The 4 concentrated search lights are on direct current and should be plugged into a separate controlboard next to the dimmer-controlboard.

The slide-projector is placed in an extended line with the midpoint of the screen. The distance between the slide-projector and the screen is variable (zoomlense). The slide-projector is preferably not placed amidst the audience (ventilation-noise)!

Right behind the projection screen there are 3 electricity-contacts with fixed voltage.

The controls of light and sound are placed in the rear of the auditorium.

The 4 spotlights are placed in the auditorium, pointed at the beginning of the stage. They should produce there a circle of light with a diameter of 60cm.



THEATRE PLAN

GENERAL NOTES (for stage manager)

House doors may be opened only 10 minutes before the announced time of the performance; but only on sign of a member of the theatrecompagny.

There is no technical staff required backstage during the performance, for reasons of concentration and silentnes; one stage manager and one fireman can stay.

There is no intermission during the performance, although with certain scenes the audience will leave and enter the house. It is recommanded to sell drinks for the audience during the performance.

It is strictly forbidden to take pictures or make sound recordings during the performance without acknowledgement of the theatrecompagny.